

SP 015 PR%

Views
 Connection positions
 Dimensions and Weights
 Installation requirements
 Power supply

CONNECTION POSITIONS

2	Terminal board power supply
3	Unipotential terminal
6	Technical data plate
7	Safety thermostat

INSTALLATION REQUIREMENTS

Installations must conform to all local electrical systems, specifically minimum wire gauge required for field connection, hydraulic and ventilation codes.

DIMENSIONS AND WEIGHT

Width	481 mm
Depth	457 mm
Height	182 mm
Net Weight	1 kg

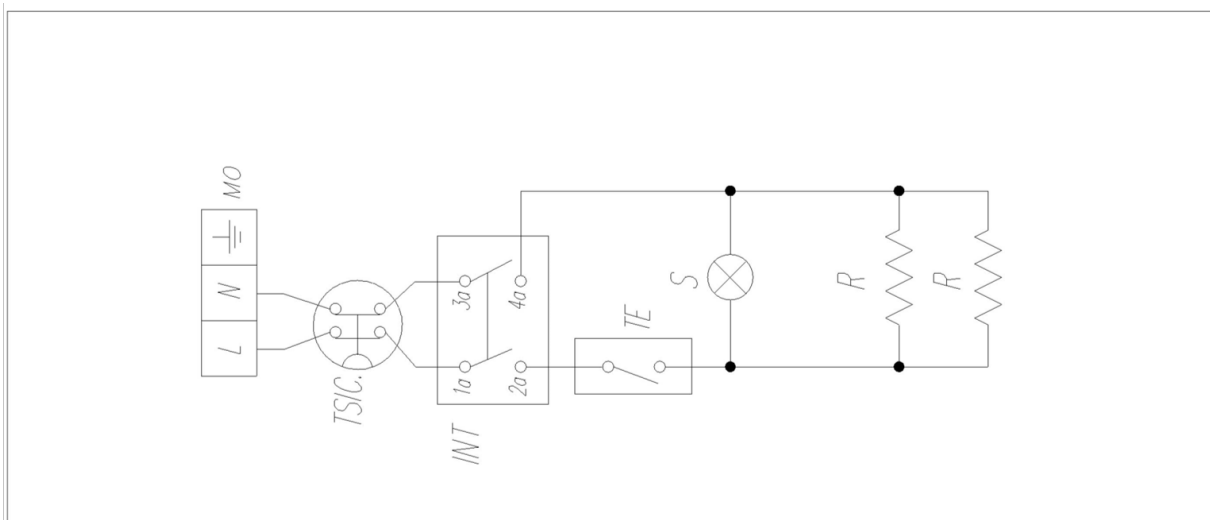
POWER SUPPLY

	STANDARD
Voltage	230 V
Phase	1PH+N+PE
Frequency	50 Hz
Power	2.8 kW
Maximum Amp Draw	12.9 A
Power cable Requirement	H07RN-F
Plug	SCHUKO

SP 015 PR-B

Wiring diagrams

SP 015 PR-B



WIRING DIAGRAMS

INT	Switch
MO	Terminal board
R	Heating element
S	Pilot light
TE	Thermostat
TS	Safety thermostat