

SP 020 X

| | | |
|--|--|---|
| MODEL SPIDOGLOSS SP020X X.PRO | <ul style="list-style-type: none"> • Black smooth surfaces | <ul style="list-style-type: none"> • Max. temperature 350°C |
| | <ul style="list-style-type: none"> • Digital Control | <ul style="list-style-type: none"> • Glass ceramic |



DESCRIPTION

Professional Contact Cooking System with Glass Ceramic plates, suitable for cooking a wide array of different foods, as such: toast, sandwich, meat, fish, vegetables, eggs, etc. High quality cooking result thanks to heat distribution uniformity and use of shock resistance, non-stick, non-porous and impermeable to smells and tastes Glass Ceramic Cooking Surfaces.

High versatility of use thanks to **SHB™ Plus** technology which allows combined heating (contact + infrared) and high cooking Temperature setting.

Up to 60% saving in Preheating Time thanks to **SHB™ Plus**. Up to 60% saving in Energy consumption thanks to the **Protek.Safe™** high efficiency insulation system which eliminates unnecessary energy loss.

STANDARD COOKING FEATURES

SETTINGS:

- **X.TOUCH™** Digital Control
- Temperature set: 0 °C -350 °C.
- Timer function
- Alarm end-of-cooking cycle
- Up to 4 setting programmes
- Stand by mode
- Timer mode

PROGRAMS:

- Time and Temperature Values storing

ACCESSORIES

- **METAL SCRAPER**
Metallic scraper for Glass Ceramic Surfaces (included)
- **SPIDO CLEAN SPRAY DETERGENT**
750 ml Spray Detergent for Glass Ceramic and Steel Surfaces (to be purchased separately)

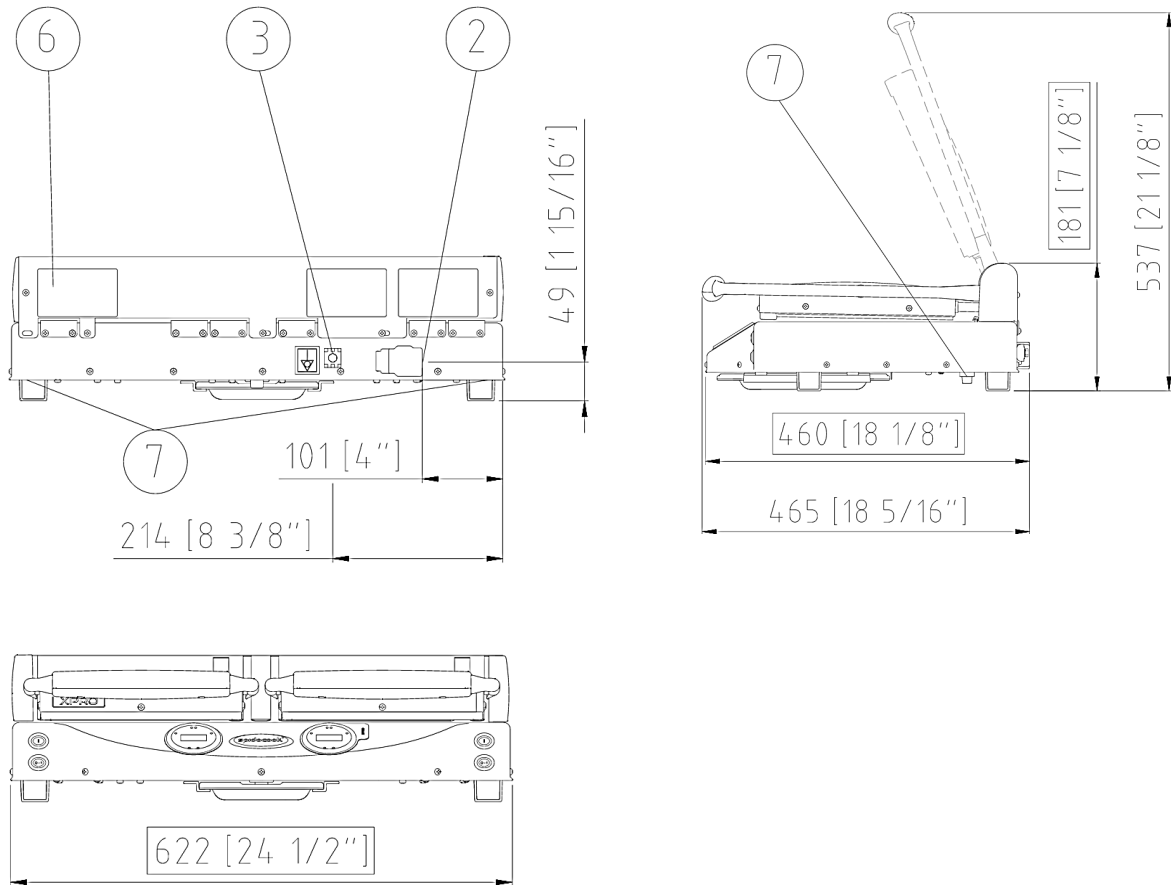
STANDARD TECHNICAL FEATURES

- **Double Black Smooth/Smooth Glass Ceramic cooking plate:**
2 250x250 mm.
- Stainless Steel Case
- Ergonomic Handle
- Self-looking Handle Bracket
- 4 Non-Slip Feets
- Removable Dip Tray
- ON/OFF button and LED light



SP 020 X

Views
Connection positions
Dimensions and Weights
Installation requirements
Power supply



CONNECTION POSITIONS

| | |
|---|-----------------------------|
| 2 | Terminal board power supply |
| 3 | Unipotential terminal |
| 6 | Technical data plate |
| 7 | Safety thermostat |

DIMENSIONS AND WEIGHT

| | |
|------------|--------|
| Width | 622 mm |
| Depth | 460 mm |
| Height | 181 mm |
| Net Weight | 10 Kg |

INSTALLATION REQUIREMENTS

Installations must conform to all local electrical systems, specifically minimum wire gauge required for field connection, and ventilation codes.

POWER SUPPLY

| | STANDARD |
|-------------------------|--------------------------------|
| Voltage | 230 V |
| Phase | 1PH+N+PE |
| Cycle | 50-60 Hz |
| Power | 3 kW |
| Maximum Amp Draw | 12,7 A |
| Power cable requirement | H07RN-F 3G 1.5 mm ² |
| Cord diameter | 10 mm |
| Plug | SCHUKO |

SP 020 X

Wiring diagrams

SP 020 X

